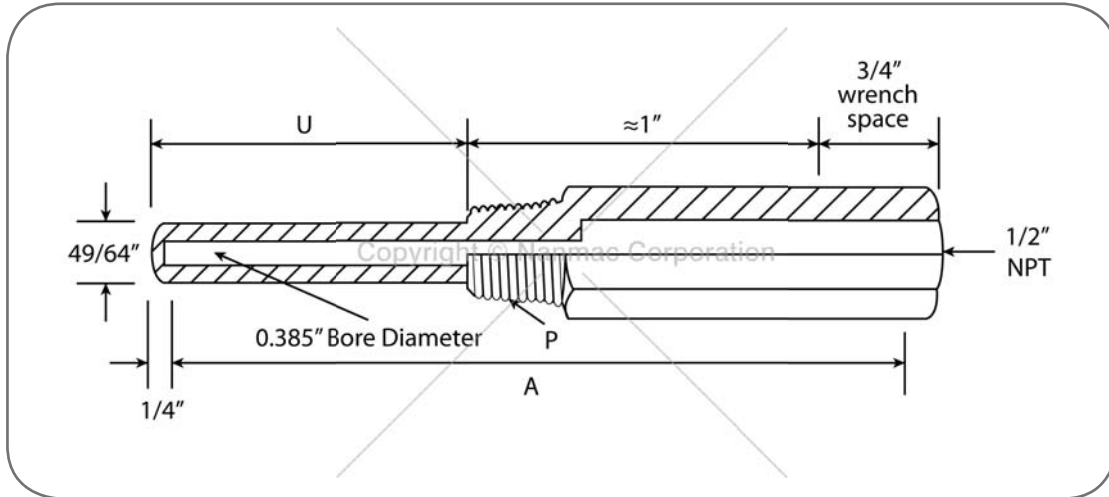


# PRODUCT INFO SHEET

Nanmac Corporation

Quality • Performance • Solutions

## General Use Thermowells with Lagging Extension for 3/8" Diameter Elements A24A Series



### NOTES:

- Stainless steel or brass compression fittings are available for mounting probes into these thermowells.

### Typical Pressure - Temperature Rating - PSI

Material	Temperature - °F						
	70°	200°	400°	600°	800°	1000°	1200°
Brass	5,000	4,200	1,000				
Carbon Steel	5,200	5,000	4,800	4,600	3,500	1,500	
SS304	7,000	6,200	5,600	5,400	5,200	4,500	1,650
SS316	7,000	7,000	6,400	6,200	6,100	5,100	2,500
Monel	6,500	6,000	5,400	5,300	5,200	1,500	

### Specifications

Lagging Extension (T)	Exterior Thread (P)	Stem Length (A)	Insertion Length (U)	Shank Diameter (Q)	Bore Diameter (B) = 0.385"			
					Material SS304	Material SS316	Material Carbon Steel	Material Brass
					Part No.	Part No.	Part No.	Part No.
3	3/4" NPT	6	2-1/2	3/4"	A24A-1	A24A-13	A24A-25	A24A-37
		9	4-1/2		A24A-2	A24A-14	A24A-26	A24A-38
		12	7-1/2		A24A-3	A24A-15	A24A-27	A24A-39
		15	10-1/2		A24A-4	A24A-16	A24A-28	A24A-40
		18	13-1/2		A24A-5	A24A-17	A24A-29	A24A-41
		24	19-1/2		A24A-6	A24A-18	A24A-30	A24A-42
3	1" NPT	6	2-1/2	7/8"	A24A-7	A24A-19	A24A-31	A24A-43
		9	4-1/2		A24A-8	A24A-20	A24A-32	A24A-44
		12	7-1/2		A24A-9	A24A-21	A24A-33	A24A-45
		15	10-1/2		A24A-10	A24A-22	A24A-34	A24A-46
		18	13-1/2		A24A-11	A24A-23	A24A-35	A24A-47
		24	19-1/2		A24A-12	A24A-24	A24A-36	A24A-48