

PRODUCT INFO SHEET

Nanmac Corporation

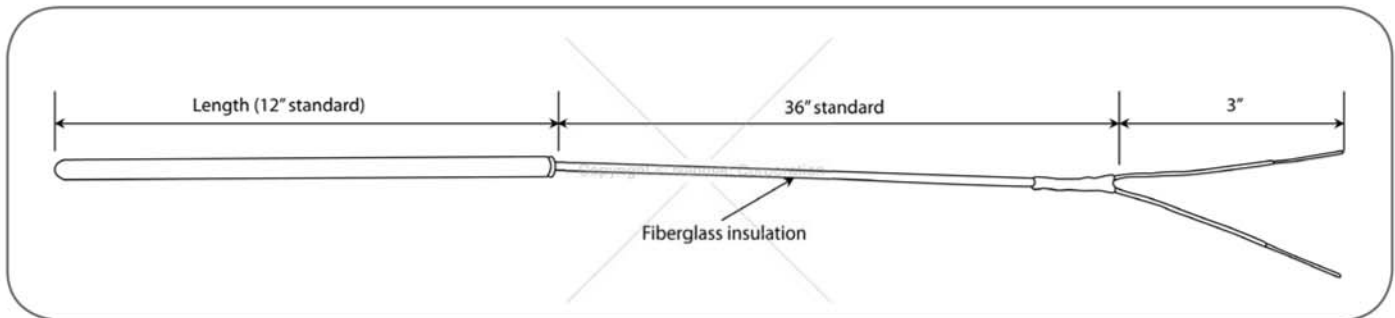
Quality • Performance • Solutions

General Purpose Thermocouple Probes with Flexible Extensions (One-Piece Construction) A8D Series

The construction of this thermocouple is a one piece design which does not utilize any transition fitting. Advantages of this construction are no splices from thermocouple to lead wire and no transition adaptors having a diameter greater than the thermocouple sheath. Units can therefore be mounted from the inside out of a chamber, pushed into a drilled hole, etc.

NOTES:

- Various adjustable compression fittings and mounting bushings are available for these units.
- Both standard size and miniature plugs and jacks are also available.
- Duplex units are available on various units, contact factory with your particular requirement.
- Lead lengths other than 36 inches, and lead wire insulations other than fiberglass are available.



Thermocouple calibration type N is available in all sizes.

304 Stainless Steel Sheath - Specifications					Inconel 600 Sheath - Specifications				
Thermocouple Type	Sheath Diameter (in.)	Exposed Junction	Grounded Junction	Ungrounded Junction	Thermocouple Type	Sheath Diameter (in.)	Exposed Junction	Grounded Junction	Ungrounded Junction
		Part No.	Part No.	Part No.			Part No.	Part No.	Part No.
J	0.062	A8D-1	A8D-5	A8D-9	J	0.062	A8D-49	A8D-53	A8D-57
J	0.125	A8D-2	A8D-6	A8D-10	J	0.125	A8D-50	A8D-54	A8D-58
J	0.187	A8D-3	A8D-7	A8D-11	J	0.187	A8D-51	A8D-55	A8D-59
J	0.250	A8D-4	A8D-8	A8D-12	J	0.250	A8D-52	A8D-56	A8D-60
K	0.062	A8D-13	A8D-17	A8D-21	K	0.062	A8D-61	A8D-65	A8D-69
K	0.125	A8D-14	A8D-18	A8D-22	K	0.125	A8D-62	A8D-66	A8D-70
K	0.187	A8D-15	A8D-19	A8D-23	K	0.187	A8D-63	A8D-67	A8D-71
K	0.250	A8D-16	A8D-20	A8D-24	K	0.250	A8D-64	A8D-68	A8D-72
E	0.062	A8D-25	A8D-29	A8D-33	E	0.062	A8D-73	A8D-77	A8D-81
E	0.125	A8D-26	A8D-30	A8D-34	E	0.125	A8D-74	A8D-78	A8D-82
E	0.187	A8D-27	A8D-31	A8D-35	E	0.187	A8D-75	A8D-79	A8D-83
E	0.250	A8D-28	A8D-32	A8D-36	E	0.250	A8D-76	A8D-80	A8D-84
T	0.062	A8D-37	A8D-41	A8D-45	T	0.062	A8D-85	A8D-89	A8D-93
T	0.125	A8D-38	A8D-42	A8D-46	T	0.125	A8D-86	A8D-90	A8D-94
T	0.187	A8D-39	A8D-43	A8D-47	T	0.187	A8D-87	A8D-91	A8D-95
T	0.250	A8D-40	A8D-44	A8D-48	T	0.250	A8D-88	A8D-92	A8D-96

PO Box 6640
1657 Washington St., Bldg. 3
Holliston MA 01746
www.Nanmac.com
engineering@nanmac.com

Foremost in Temperature Measurement™
NANMAC

US & Canada: 1.800.786.4669
International: 1.508.872.4811
Fax: 1.508.879.5450
info@nanmac.com