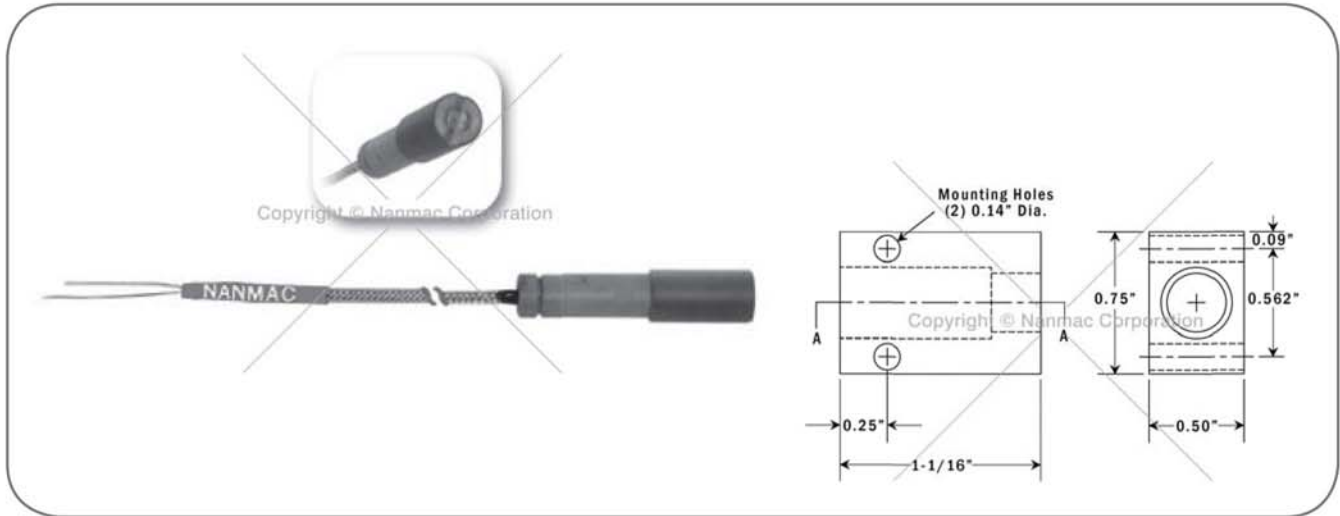


# PRODUCT INFO SHEET

Nanmac Corporation

Quality • Performance • Solutions

## Rub & Contact Thermocouples Ideal for Moving Surfaces: Drums • Fibers • Wire • Etc. B6 Series



### NOTES:

- Specify part number and thermocouple type when ordering.  
*Example: B6-1-K*

### Model FFM Thermocouple - Specifications

<b>Description</b>	Self-renewing thermal junction mounted in V-notch machined in thermowell which is spring-loaded inside aluminum mounting block. Three feet of fiberglass leads are standard.
<b>Applications</b>	Direct contact with fine fibers and metal wires, such as for controlling pre-induction heaters during fiber processing, plastic coating of wires, fiber processing, etc.
<b>Performance</b>	Response time: low milliseconds; 450 degrees Fahrenheit maximum service temperature; maximum wire speed: 3,000 fpm. Self-renewing junction provides accurate sensing until 3/8" has worn off tip of FFM sensor.

### Specifications

Part No.	Model
B6-1	RDD with mounting block
B6-2	FFM with mounting block
B6-4	model RDD only
B6-5	model FFM only
B6-6	mounting block only

### Model RDD Thermocouple - Specifications

<b>Description</b>	Soft brass disc brazed to thermocouple element, disc and thermocouple is mounted into a high temperature plastic housing, which is spring-loaded in the aluminum mounting block. Standard is 36 inches of fiberglass insulated leads, though most any lead configuration and plug assembly can be added. The device uses a spring rate of 5.83 lbs./in.
<b>Applications</b>	Direct contact with rotating drums and discs or moving plates and sheets.
<b>Performance</b>	30 second response time; 450 degrees Fahrenheit maximum service temperature.

PO Box 6640  
1657 Washington St., Bldg. 3  
Holliston MA 01746  
www.Nanmac.com  
engineering@nanmac.com

Foremost in Temperature Measurement™  
**NANMAC**

US & Canada: 1.800.786.4669  
International: 1.508.872.4811  
Fax: 1.508.879.5450  
info@nanmac.com