

PRODUCT INFO SHEET

Nanmac Corporation

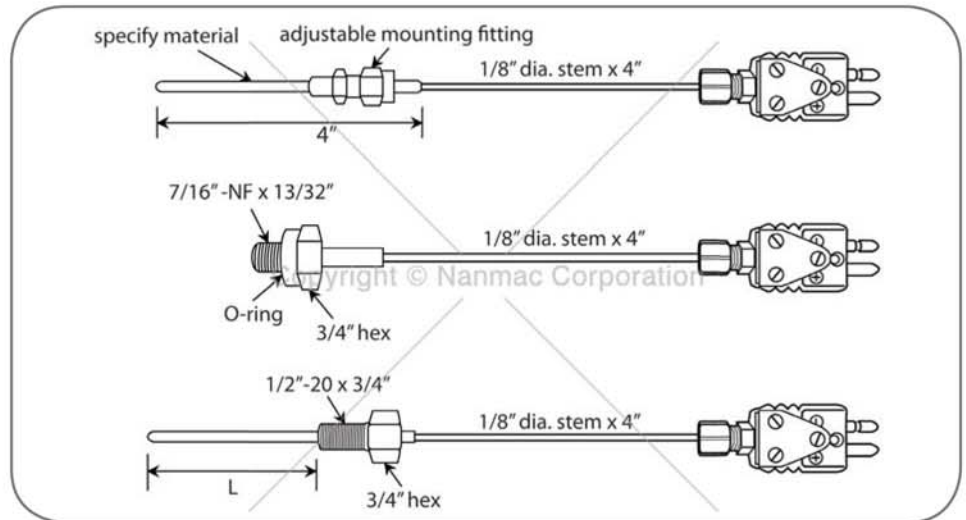
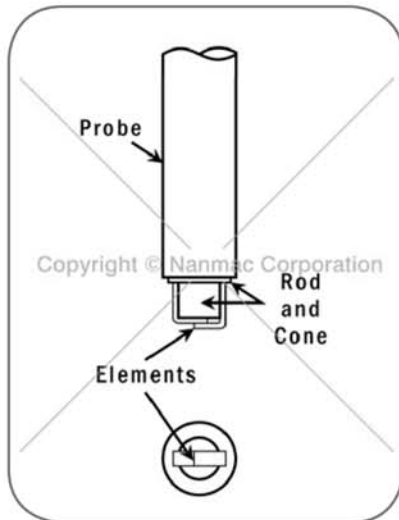
Quality • Performance • Solutions

Right Angle Ribbon Thermocouples C2 Series

The adjustable probe unit includes an adjustable compression fitting with standard pipe threads. The probe may be from 3/16 inch OD and up, though standard sizes are 1/4 and 3/8 inch. Lengths can be from one inch to as much as 24 inches long, with a standard length of four inches. Probe may be made from most any metal, plastic, or phenolic compound. This style is ideally suited for gas and liquid surface and immersion applications.

The Surface mounted unit contains the right angle thermocouple on the end of the threaded thermowell. The thermowell is stainless steel with straight threads (7/16 NF-2 by 13/32 inches long). It also contains an O-ring seal (good to 450 degrees Fahrenheit). At higher temperatures, the O-ring must be removed and replaced by a copper washer. This fluid mounted unit is ideal for applications requiring gas or liquid temperatures at the inner surface of a container wall.

The fixed probe unit contains a 1/4 inch OD stainless steel probe on the end of a straight thread mounting bushing (size of threads 1/2-20 NF x 3/4 inches long). The fixed probe unit is ideal for measuring gas or liquid temperatures inside a container under high pressures.



Ordering Information:

- When ordering, specify Part No. and calibration type.
Example: C2-1-J
- When ordering C2-7, specify also length "L" to the nearest 1/8."
Example: C2-7-J-18

Specifications

Part No.	Probe Material	Diameter "A" (in.)	Length "L" (in.)	Mounting Type	Maximum Pressure (psi)
C2-1	SS 304	1/4 OD	4	1/8 NPT	3,000
C2-2	SS 304	3/8 OD	4	1/4 NPT	3,000
C2-3	Inconel	1/4 OD	4	1/8 NPT	3,000
C2-4	Copper	1/4 OD	4	1/8 NPT	3,000
C2-5	SS 316	-	-	7/16-20 NF by 13/32	5,000
C2-7	SS 304	1/4 OD	4	1/2-20 NF by 3/4	10,000

PO Box 6640
1657 Washington St., Bldg. 3
Holliston MA 01746
www.Nanmac.com
engineering@nanmac.com

Foremost in Temperature Measurement™
NANMAC

US & Canada: 1.800.786.4669
International: 1.508.872.4811
Fax: 1.508.879.5450
info@nanmac.com