

# PRODUCT INFO SHEET

Nanmac Corporation

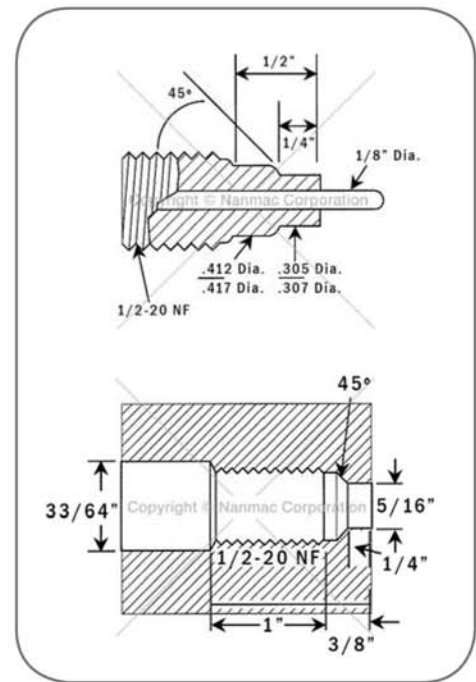
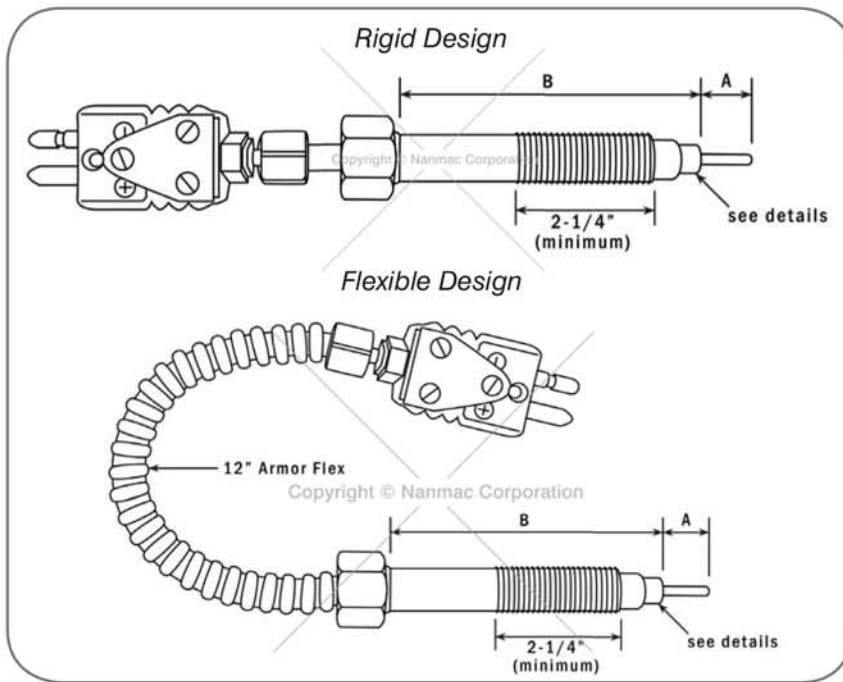
Quality • Performance • Solutions

## Extruder Thermocouple for Plastic Melt Temperatures C2B Series

Our plastic melt thermocouples are designed for use in extruder heads or die adaptors of injection molding machines with the thermocouple sensor either flush or immersed into the plastic melt. The thermowell and sensor sheath are made of 304 stainless steel. Standard units have a thermocouple Type J (iron/constantan) thermal junction electrically grounded to the thermowell. The flexible design has a flexible 12 inch armored extension, plus a connector plug.

### NOTES:

- If longer than twelve inches of armor flexible leads are needed, contact factory.
- All of these standard melt thermocouples have a grounded iron/constantan (type J) junction. Contact factory for ungrounded or duplex units and other calibrations.



### Rigid Design Specifications

Part No.	Dimension "A"	Dimension "B"
C2B-1	Flush	3
C2B-2	1/4	
C2B-3	1/2	
C2B-4	3/4	
C2B-5	1	
C2B-6	Flush	6
C2B-7	1/4	
C2B-8	1/2	
C2B-9	3/4	
C2B-10	1	

### Flexible Design Specifications

Part No.	Dimension "A"	Dimension "B"
C2B-11	Flush	3
C2B-12	1/4	
C2B-13	1/2	
C2B-14	3/4	
C2B-15	1	
C2B-16	Flush	6
C2B-17	1/4	
C2B-18	1/2	
C2B-19	3/4	
C2B-20	1	

PO Box 6640  
1657 Washington St., Bldg. 3  
Holliston MA 01746  
www.Nanmac.com  
engineering@nanmac.com

Foremost in Temperature Measurement™  
**NANMAC**

US & Canada: 1.800.786.4669  
International: 1.508.872.4811  
Fax: 1.508.879.5450  
info@nanmac.com