

PRODUCT INFO SHEET

Nanmac Corporation

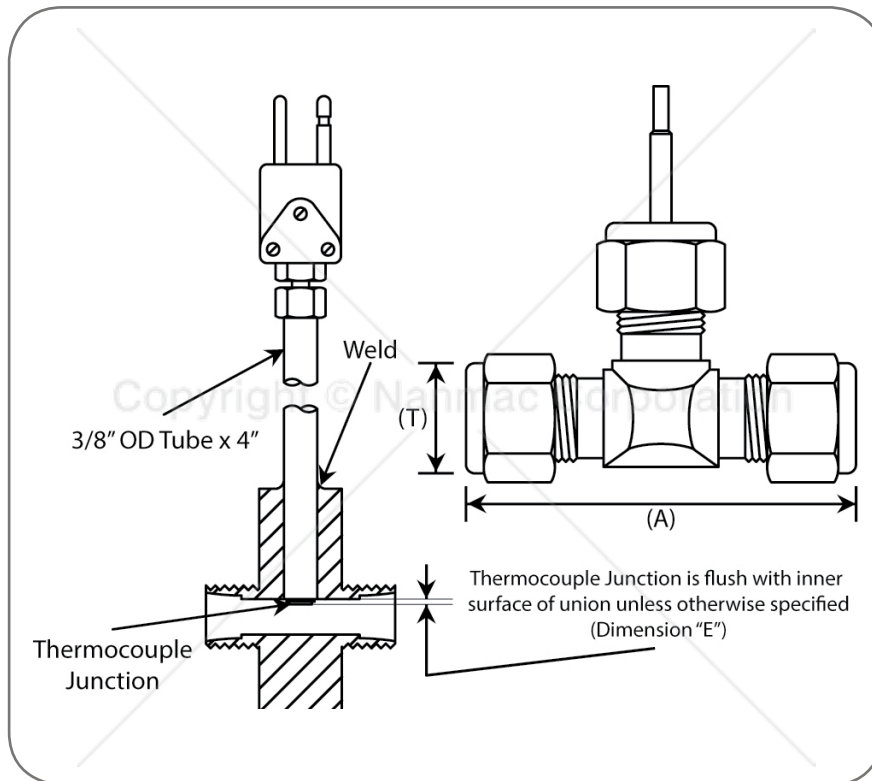
Quality • Performance • Solutions

Flow-Thru Thermocouples and RTDs Compression Fitting Tube Unions D4 Series

Our 'Flow-Thru Thermocouples and RTDs' use either a right-angle ribbon thermocouple sensor or a Pt100 Ohm RTD. Utilizing a special ribbon element which eliminates conduction errors due to shallow immersion into the flowing gas or liquid within the pipeline. Additionally, this ribbon design provides response times within the low milliseconds. All Pt100 RTD devices are sanitary since the sensor is separated from the material in the pipeline by a 0.015 inch thick stainless steel diaphragm. For thermocouples requiring sanitary designs contact the factory.

NOTES:

- Temperature Range: -320 to 1,250 degrees Fahrenheit
- Pressures up to 4,000psi
- Response Times: Thermocouples (20ms) and RTDs (3s)
- Available Types: Thermocouples (J, K, E & T) and RTDs (Pt100 2 wire standard)
- Termination: 3/8 inch OD stainless steel tube with standard size 2 pin male plug attached.
- Termination Styles: Transition to Flex Leads, Explosion Proof Connector Head, 3 or 4 wire RTD, Flexible Lead Wire, etc. (contact factory)
- Union Type: 316 stainless steel compression tube union



RTDs come standard with diaphragm. Thermocouples with a diaphragm are available upon request for sanitary applications

Specifications		
Part No.	T (diameter)	A (in.)
D4-80	1/4	2.14
D4-81	5/16	2.34
D4-82	3/8	2.40
D4-83	1/2	2.76
D4-84	5/8	2.92
D4-85	3/4	3.02
D4-86	1	3.58

PO Box 6640
1657 Washington St., Bldg. 3
Holliston, MA 01746
www.Nanmac.com
engineering@nanmac.com

Foremost in Temperature Measurement™
NANMAC

US & Canada: 1.800.786.4669
International: 1.508.872.4811
Fax: 1.508.879.5450
info@nanmac.com