

PRODUCT INFO SHEET

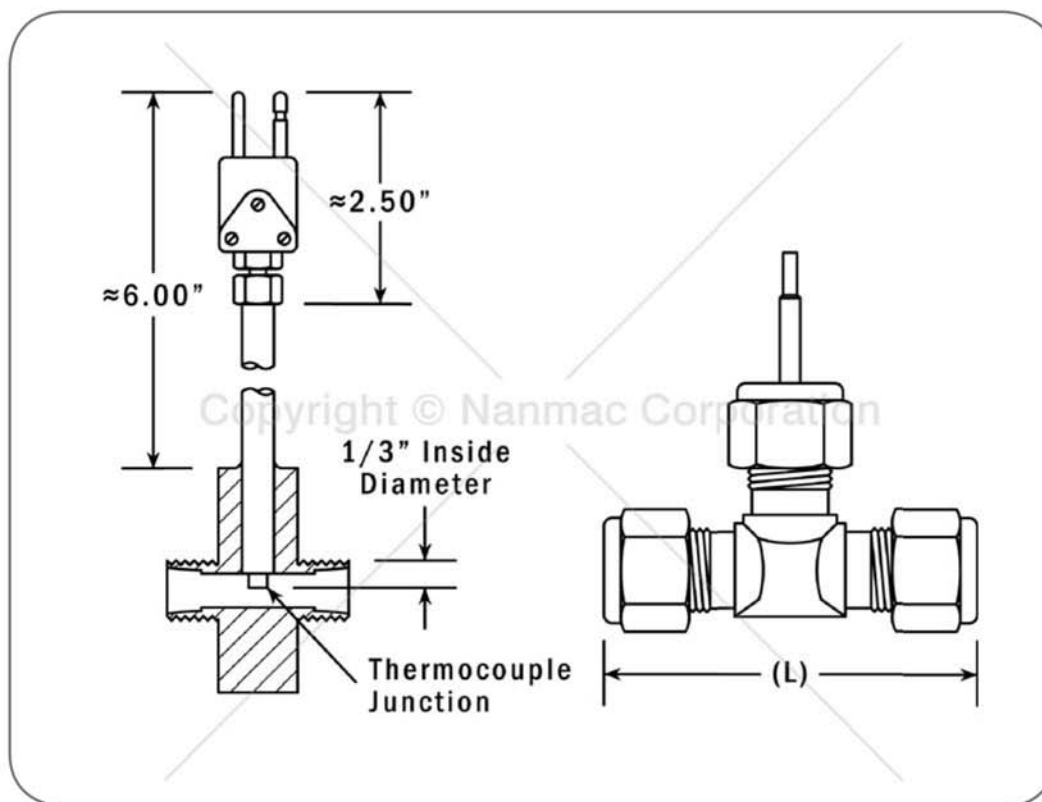
Nanmac Corporation

Quality • Performance • Solutions

Economical Pipe-Line Thermocouple & RTD Simple Installation Into Pipelines D7 Series

NOTES:

- Conventional thermocouple with stainless steel sheaths and grounded junctions
- Available in thermocouple calibration types: E, J, K & T
- Also available with Pt RTD as per DIN 43760
- Unions available in stainless steel or brass
- Temperature range to 500 degrees Fahrenheit
- Pressure range to 500 psi
- Sensing junction immersed 1/3 diameter into stream



Specifications

Part No.	Tube OD (D)	Hex (H)	Length (L)
D7-4T-(*)-(*)	1/4	9/16	2.12
D7-5T-(*)-(*)	5/16	5/8	2.34
D7-6T-(*)-(*)	3/8	11/16	2.40
D7-8T-(*)-(*)	1/2	7/8	2.84
D7-10T-(*)-(*)	5/8	1.0	3.06
D7-12T-(*)-(*)	3/4	1-1/8	3.14
D7-16T-(*)-(*)	1.0	1-1/2	3.86

PO Box 6640
1657 Washington St., Bldg. 3
Holliston MA 01746
www.Nanmac.com
engineering@nanmac.com

Foremost in Temperature Measurement™
NANMAC

US & Canada: 1.800.786.4669
International: 1.508.872.4811
Fax: 1.508.879.5450
info@nanmac.com