

PRODUCT INFO SHEET

Nanmac Corporation

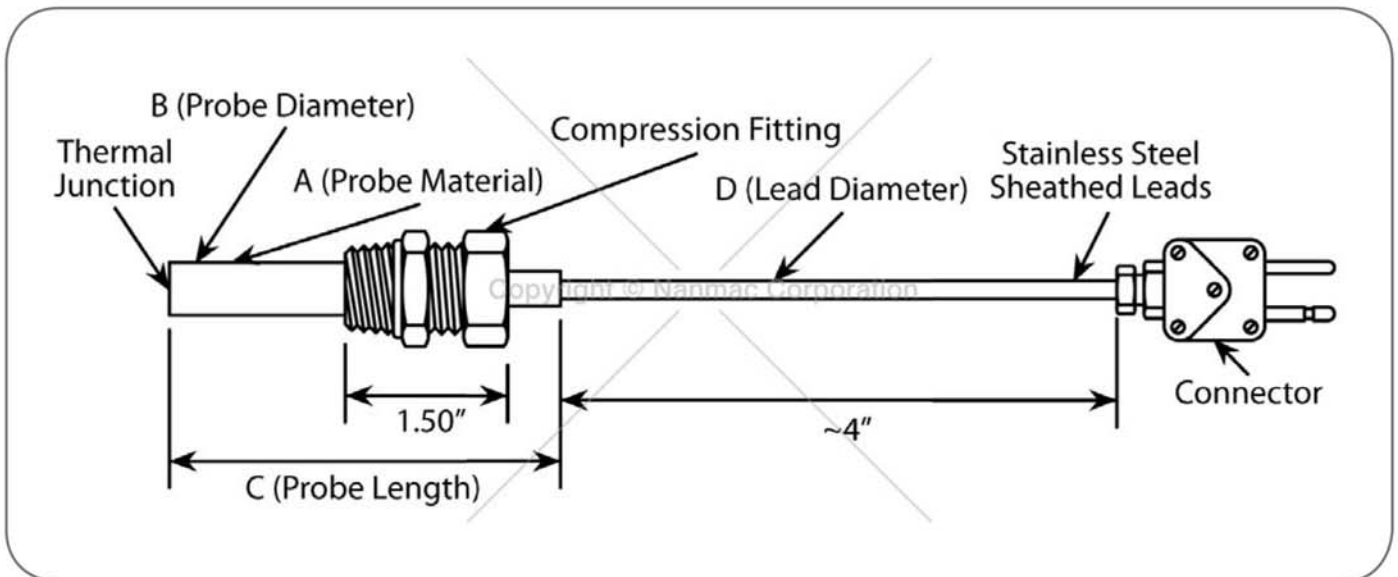
Quality • Performance • Solutions

Self-Renewing Thermocouple E12 Series

An innovation in thermocouple design this patented Self-Renewing Thermocouple provides temperature data never before available. This innovative design puts the thermocouple junction exactly at the end of the probe. It can be machined to most any shape, erode or wear away up to 1/2 inch during the process and continuously renew it's own junction while being eroded.

NOTES:

- Includes a stainless steel adjustable compression fitting with 1/8 NPT threads (3/8 inch OD probes use a 1/4 inch NPT fitting).
- Other size NPT or O-Ring fittings are available.
- A standard thermocouple plug is attached to all units (female connectors are supplied).
- All Tantalum units are thermally ungrounded and require construction that utilizes a union to join the thermocouple probe to the stainless steel sheathed leads (stem).



Specifications				
Part No.	Material and Dimensions (in.)			
	A	B	C	D
E12-1	SS 304	0.250	4	0.125
E12-2	SS 304	0.187	4	0.125
E12-3	SS 304	0.125	4	0.063
E12-4	SS 304	0.375	4	0.125
E12-5A	Tantalum	0.250	4	0.125
E12-8	Inconel	0.250	4	0.125
E12-9	Copper	0.250	4	0.125

PO Box 6640
1657 Washington St., Bldg. 3
Holliston MA 01746
www.Nanmac.com
engineering@nanmac.com

Foremost in Temperature Measurement™
NANMAC

US & Canada: 1.800.786.4669
International: 1.508.872.4811
Fax: 1.508.879.5450
info@nanmac.com