

PRODUCT INFO SHEET

Nanmac Corporation

Quality • Performance • Solutions

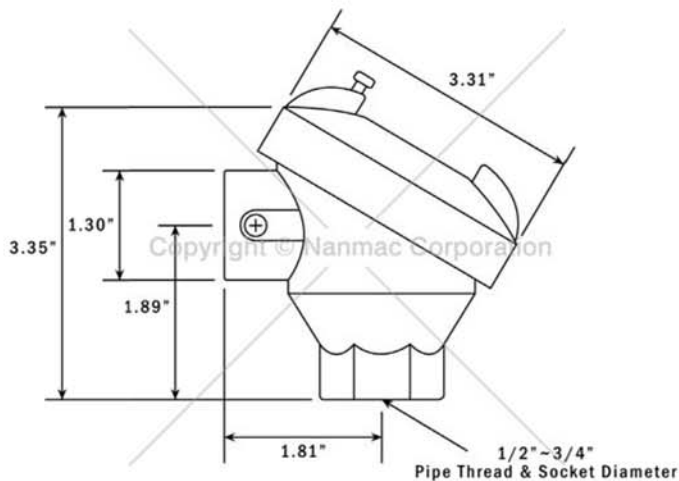
Conduit Heads General Purpose F7-1 Series

General purpose (GP) heads are rugged cast aluminum, stainless steel, or plastic units with various NPT probed connection sizes and the choice of terminal block to fit your application. Flip top versions are also available.

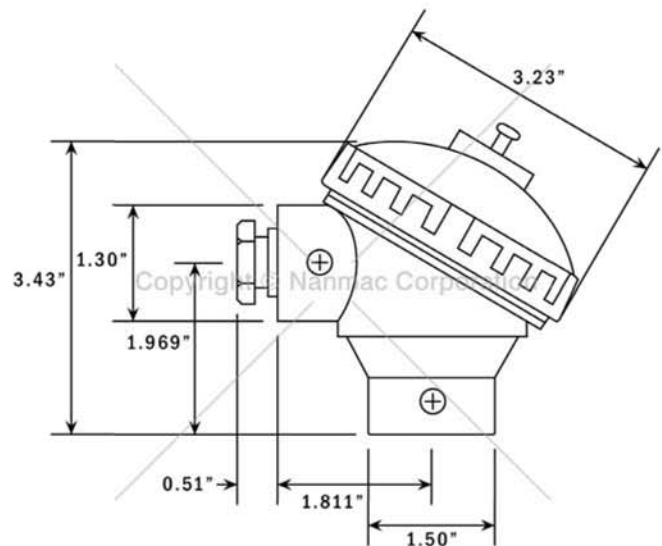
NOTES:

- Utilizes DIN Transmitters and fits most terminal blocks.
- Rated NEMA 4x & IP68

Aluminum & Stainless Steel



Polypropylene



Our polypropylene heads are FDA approved and can be used for sanitary applications.

Specifications

Part No.	Material	Thread Size (PE x CE)
F7-1-1212-AL	Aluminum	1/2" x 1/2" NPT
F7-1-1234-AL		1/2" x 3/4" NPT
F7-1-3434-AL		3/4" x 3/4" NPT
F7-1-1212-SS	Stainless Steel	1/2" x 1/2" NPT
F7-1-1234-SS		1/2" x 3/4" NPT
F7-1-3434-SS		3/4" x 3/4" NPT
F7-1-1212-PP	Polypropylene	1/2" x 1/2" NPT
F7-1-1234-PP		1/2" x 3/4" NPT
F7-1-3434-PP		3/4" x 3/4" NPT

PO Box 6640
1657 Washington St., Bldg. 3
Holliston MA 01746
www.Nanmac.com
engineering@nanmac.com

Foremost in Temperature Measurement™
NANMAC

US & Canada: 1.800.786.4669
International: 1.508.872.4811
Fax: 1.508.879.5450
info@nanmac.com