

PRODUCT INFO SHEET

Nanmac Corporation

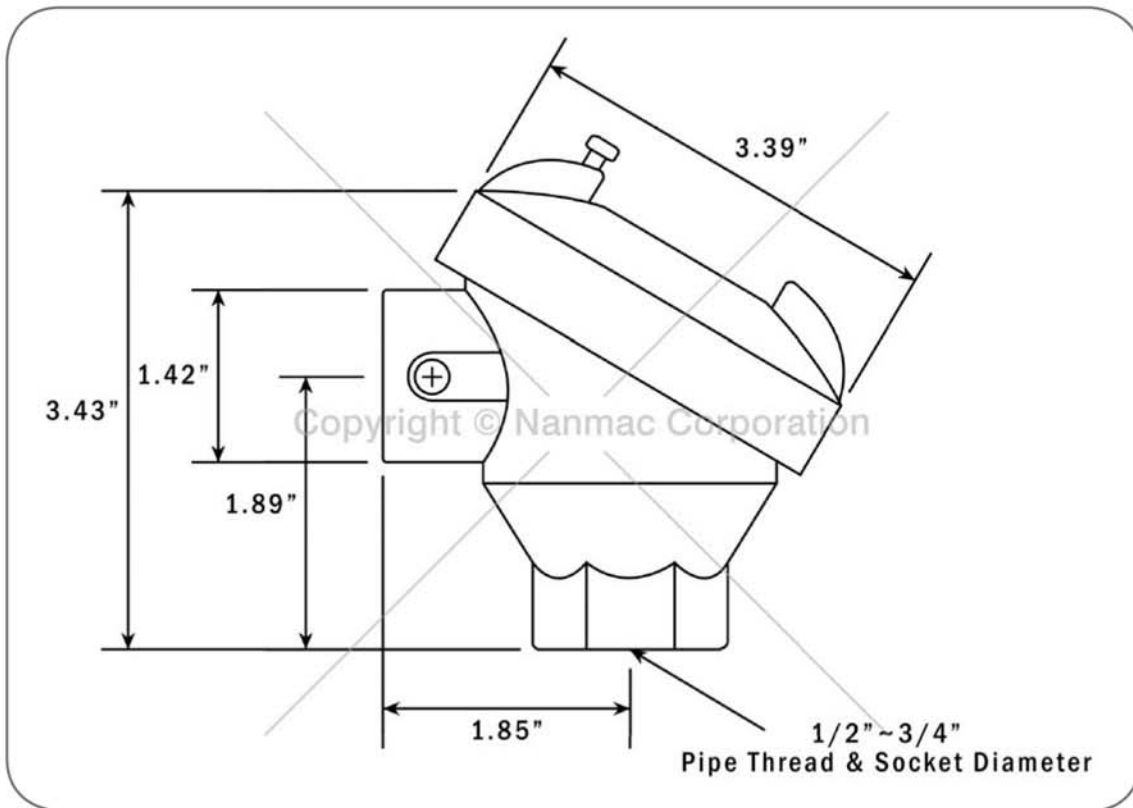
Quality • Performance • Solutions

Conduit Heads Weatherproof (WP) F7-12 Series

Weatherproof (WP) heads are rugged cast aluminum or cast iron screw cover units that are available in various NPT probe connection sizes and terminal clock to fit your application.

NOTES:

- Utilizes DIN Transmitters and fits most terminal blocks.
- Rated NEMA 4x & IP68



Specifications

Part No.	Material	Thread Size (PE x CE)
F7-12-1212-CI	Cast Iron	1/2" x 1/2" NPT
F7-12-1234-CI		1/2" x 3/4" NPT
F7-12-3434-CI		3/4" x 3/4" NPT
F7-12-1212-AL	Aluminum	1/2" x 1/2" NPT
F7-12-1234-AL		1/2" x 3/4" NPT
F7-12-3434-AL		3/4" x 3/4" NPT

PO Box 6640
1657 Washington St., Bldg. 3
Holliston MA 01746
www.Nanmac.com
engineering@nanmac.com

Foremost in Temperature Measurement™
NANMAC

US & Canada: 1.800.786.4669
International: 1.508.872.4811
Fax: 1.508.879.5450
info@nanmac.com