

PRODUCT INFO SHEET

Nanmac Corporation

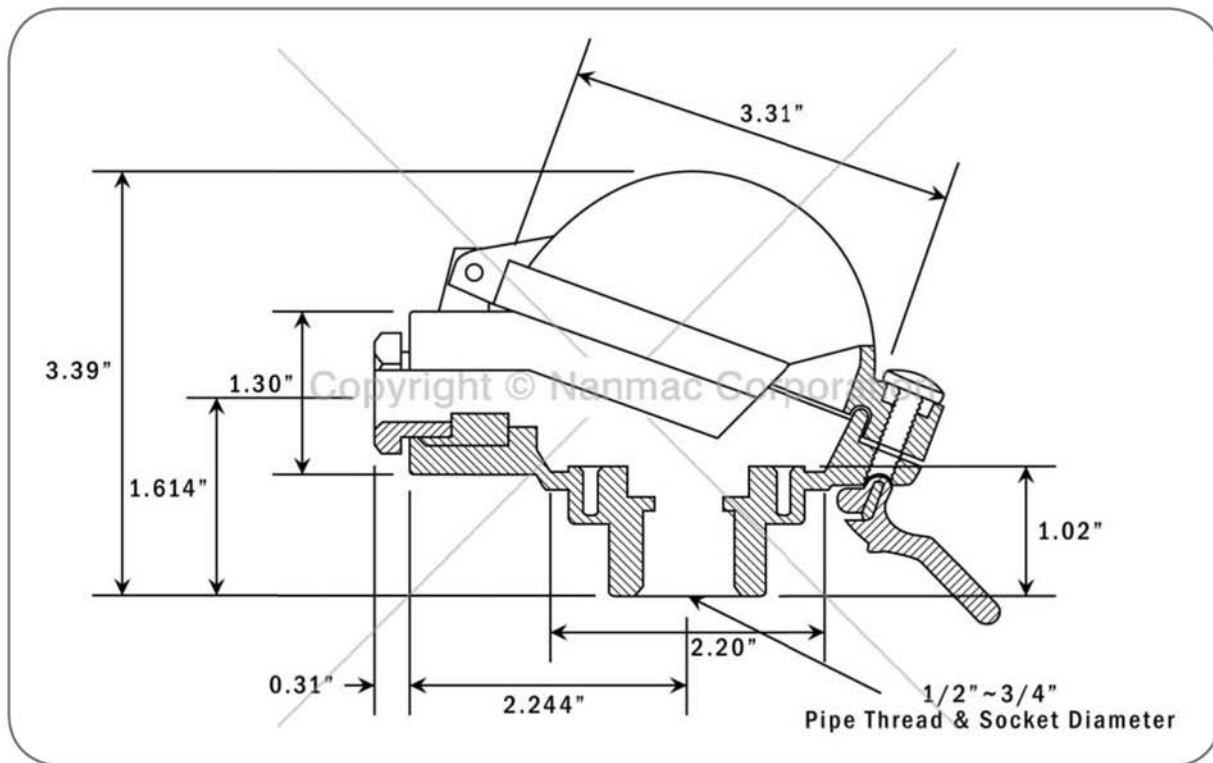
Quality • Performance • Solutions

Conduit Heads Flip Top F7-23 Series

The Nanmac F7-23 Series Conduit Heads are rugged aluminum units with various NPT probe connection sizes and the choice of terminal block to fit your application. Most housings come with screw top caps, the flip top of the F7-23 allows for quick opening and closing of the top utilizing the clip and latch configuration.

NOTES:

- Flip top with snaplock
- Quick and easy access



Specifications

Part No.	Material	Thread Size (PE x CE)
F7-23-1212-AL	Aluminum	1/2" x 1/2" NPT
F7-23-1234-AL		1/2" x 3/4" NPT
F7-23-3434-AL		3/4" x 3/4" NPT

PO Box 6640
1657 Washington St., Bldg. 3
Holliston MA 01746
www.Nanmac.com
engineering@nanmac.com

Foremost in Temperature Measurement™
NANMAC

US & Canada: 1.800.786.4669
International: 1.508.872.4811
Fax: 1.508.879.5450
info@nanmac.com