

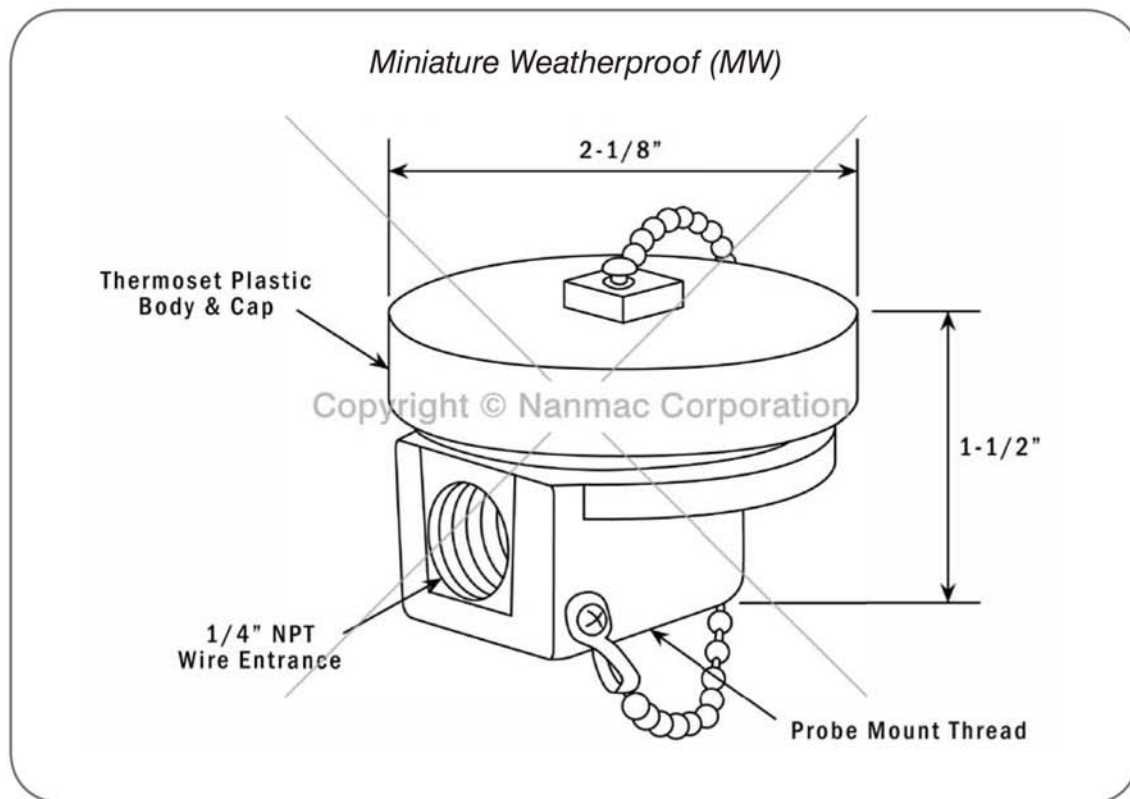
PRODUCT INFO SHEET

Nanmac Corporation

Quality • Performance • Solutions

Conduit Heads Miniature Weatherproof (MW) F7-24 Series

Miniature Weatherproof (MW) heads can be either 1/4 inch or 3/8 inch and are designed for termination of single/dual thermocouples or RTDs. The probe mount and wire entrance threads are 1/4 inch NPT. Cover includes gasket to seal against moisture and chain to prevent loss. Molded of reinforced thermoset compound, this connector head can be used in ambient temperatures to 350 degrees Fahrenheit (175 degrees Celsius). This MW design requires no separate terminal block because a terminal strip is molded into the connector head (terminal screws are provided).



Specifications		
Part No.	Description	Probe Mount Thread
F7-24-1414-RTC F7-24-3814-RTC	Standard 350°F	1/4" NPT 3/8" NPT
F7-24-1414-RTCHT F7-24-3814-RTCHT	Hi-Temp 800°F	1/4" NPT 3/8" NPT

PO Box 6640
1657 Washington St., Bldg. 3
Holliston MA 01746
www.Nanmac.com
engineering@nanmac.com

Foremost in Temperature Measurement™
NANMAC

US & Canada: 1.800.786.4669
International: 1.508.872.4811
Fax: 1.508.879.5450
info@nanmac.com