

# PRODUCT INFO SHEET

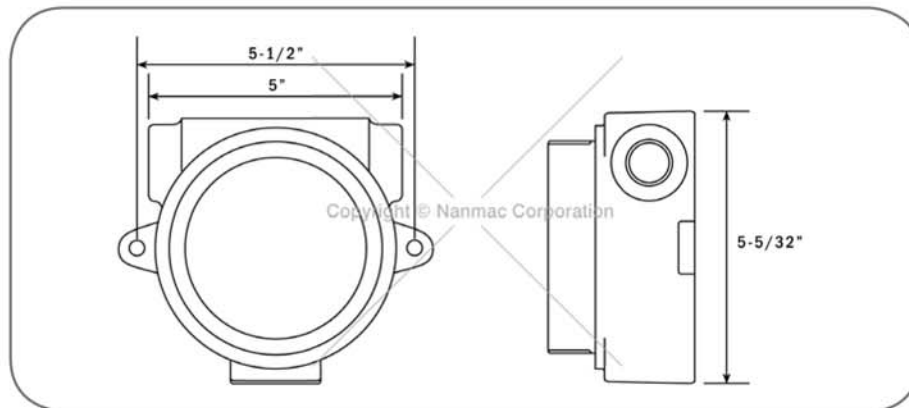
Nanmac Corporation

Quality • Performance • Solutions

## Conduit Heads Explosion Proof (EP) F7-NEMA-WINDOW Series

This Explosion Proof (EP) instrument housing accommodates large diameter assemblies, multi-level circuit boards, and/or wide angle readouts and displays. Providing maximum clearance to facilitate instrument mounting, calibration, or service. Precision machined from sand-cast, copper-free aluminum.

This housing is used for mounting the F11-40 or F11-50 Series Transmitters. See our fully assembled and functional F7-LCD-SP which utilizes this head.



### NOTES:

- 3/4" NPT conduit feed-through hubs offset for maximum clearance and capacity.
- 7/16" thick base for blind tapped instrument mounting holes in any location.
- Glass cover models have a large 2.5" diameter, tempered glass window for local read out.
- Corrosion resistant, "safety blue" polyester powder coating.

### Specifications

<b>Input Current</b>	4-20 mA
Maximum Current	30 mA
Maximum Current for Operation	~3.5 mA
<b>Voltage Drop</b>	~1.5 V
<b>Indication</b>	
Display	Black LCD with 4 digits including minus sign
Digit Height	12.7 mm/0.5"
Indication Range	Any range between - 1999 to 9999
Decimals	Selectable, 0 to 3
Upper Range / Over Range	Flashing symbols LO/HI
Engineering Units	Set of Labels included (including blanks)
<b>Response Time</b>	Approximately 0.5 seconds
<b>Scale Setting</b>	Two pushbuttons inside the housing
<b>Operation Temperature</b>	-25 to +70°C / -13 to +158°F
<b>Typical Accuracy</b>	±0.05 % FS ±1 digit
<b>Protection</b>	IP66 / NEMA 4
<b>Connections</b>	Stranded, ≤ 1.5 mm <sup>2</sup> AWG 16
<b>Conduit Threads</b>	2 x 3/4" NPT
<b>Mounting</b>	Wall Mounting

PO Box 6640  
1657 Washington St., Bldg. 3  
Holliston MA 01746  
www.Nanmac.com  
engineering@nanmac.com

Foremost in Temperature Measurement™  
**NANMAC**

US & Canada: 1.800.786.4669  
International: 1.508.872.4811  
Fax: 1.508.879.5450  
info@nanmac.com