

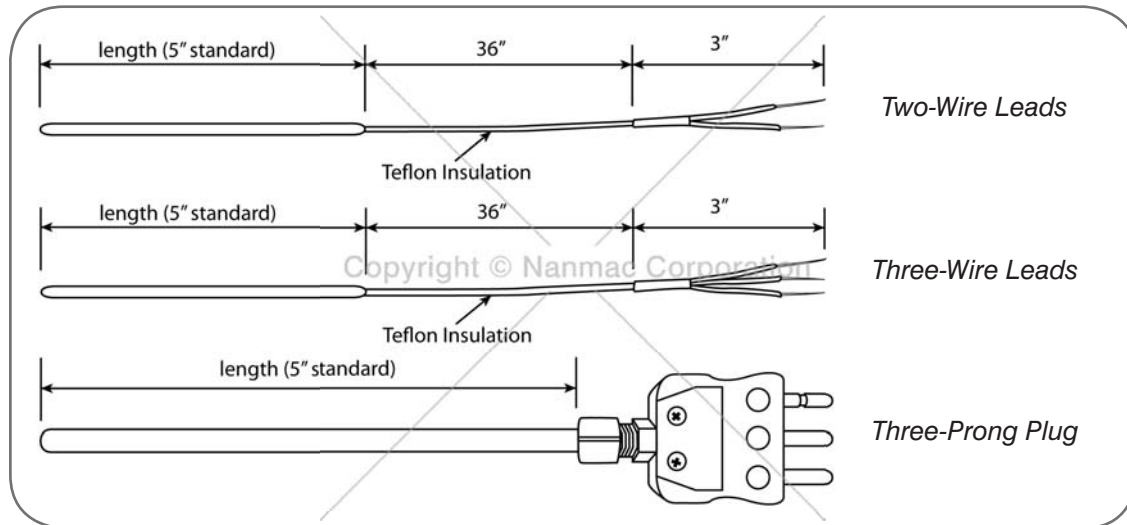
PRODUCT INFO SHEET

Nanmac Corporation

Quality • Performance • Solutions

RTD Probes with Various Termination Styles I6 Series

Our standard RTD probe uses a 100 ohm platinum element with $\alpha = 0.00385$. Sheath material is SS 304 and can be 1/16, 1/8, 3/16, or 1/4 inch diameter in standard length of five inches. Units are available with either a standard size plug or teflon insulated lead wire. When ordered with a plug; the plug has three prongs. Units with lead wire can be either two or three conductor. Available with stainless steel overbraid for added durability.



Pt1000 also available

NOTES:

- Various size mounting bushings are available for these units.
- Longer sheath or lead wire lengths, four-wire units, and various sheath materials are available.
- A variety of termination styles are available for these units.
- Typical construction does not allow for bending; contact factory if your requirement involves bending.

1/16 and 1/8 inch diameter units have a transition between sheath and leads

Specifications

Part No.	Probe OD	Termination Styles	Stainless Steel Overbraid
I6-20	3/16	Two-Wire Leads	No
I6-21	1/4		No
I6-22	3/16		Yes
I6-23	1/4		Yes
I6-23A	1/8		No
I6-23B	1/8		Yes
I6-23C	1/16		No
I6-23D	1/16		Yes
I6-24	3/16	Three-Wire Leads	No
I6-25	1/4		No
I6-26	3/16		Yes
I6-27	1/4		Yes
I6-27A	1/8		No
I6-27B	1/8		Yes
I6-27C	1/16		No
I6-27D	1/16		Yes
I6-28	3/16	Three Prong Plug	N/A
I6-29	1/4		
I6-31A	1/8		
I6-31B	1/16		

11 Mayhew Street
Framingham, MA 01702
www.Nanmac.com
engineering@nanmac.com

Foremost in Temperature Measurement™
NANMAC

US & Canada: 1.800.786.4669
International: 1.508.872.4811
Fax: 1.508.879.5450
info@nanmac.com