

Electrical Feed-Thrus and Various Styles K6 Series

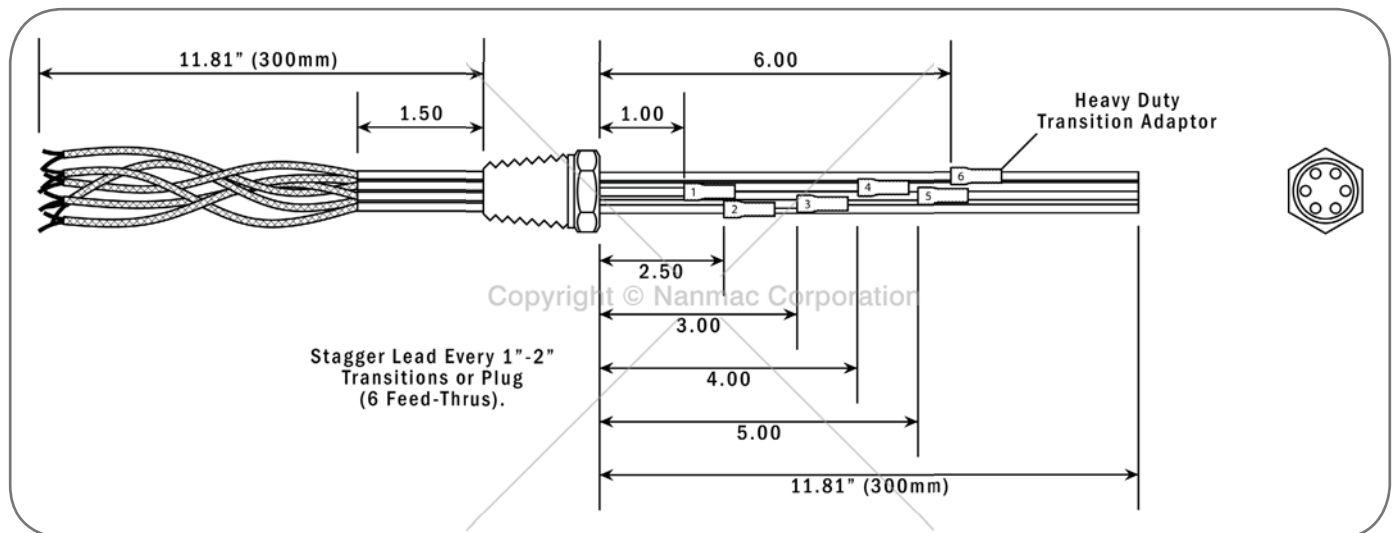
(Page 1 of 2)

Insulated electrical feedthroughs provide a ready-to-use package, from two to twelve insulated electrical wires per unit. Having flexible insulated leads on the pressure side (dimension C-only one pair shown for clarity) and one inch of bare wire on the ambient side. These electrical sealing glands can also be used to carry electrical current up to 0.8 amperes if desired. A wide choice of instrumentation feedthrough glands are available for a variety of applications, including various thermocouple calibrations, various termination styles, and configurations for the ambient side (lead wire, connectors, etc.)

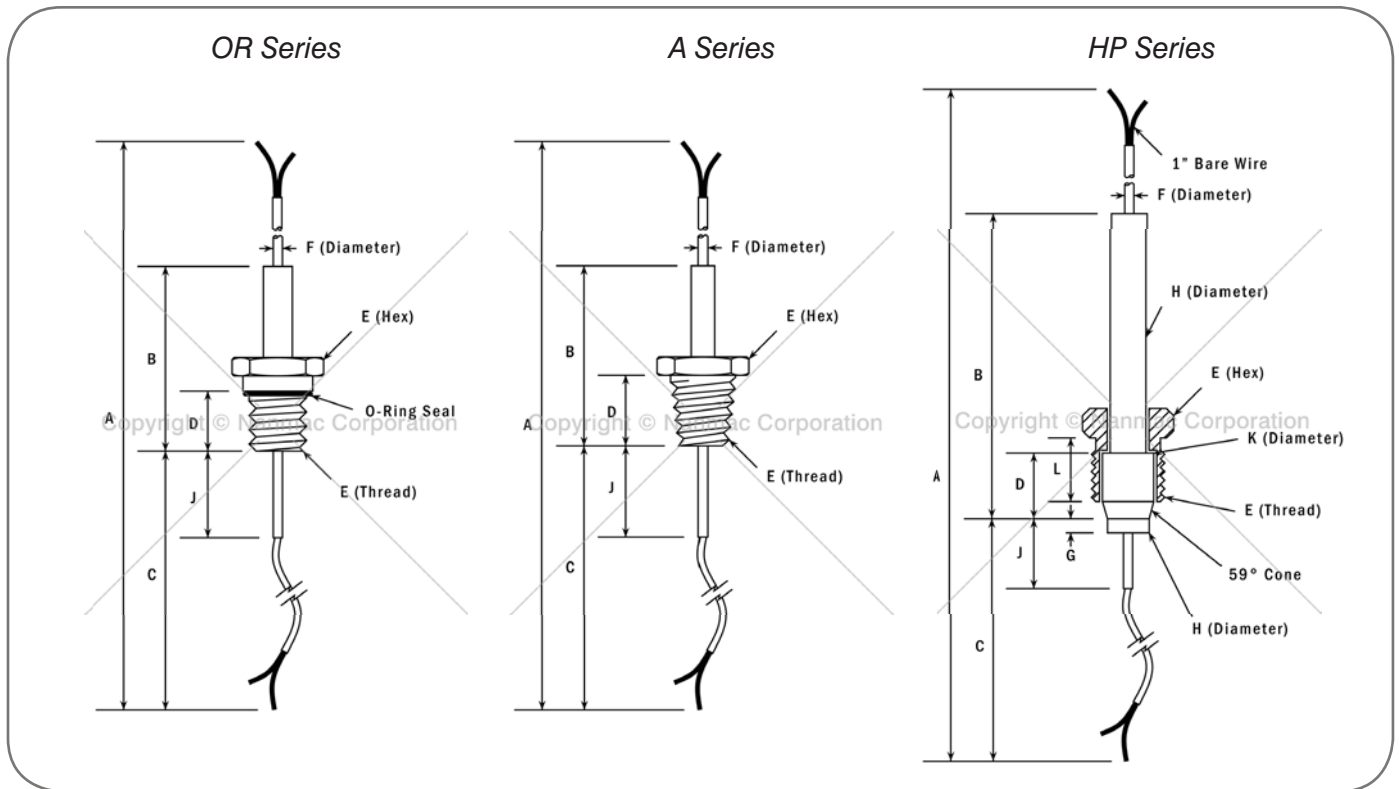
Units are made with stainless steel glands and have either O-ring (OR series), pipe thread (A series), or conical (HP series) metal-to-metal seals. They can be rated for use from low vacuum to 20,000 psi and temperatures to 500 degrees Fahrenheit. All standard glands contain #24 gage (0.020") AWG solid copper conductors inside an 1/8 inch diameter stainless steel tube. These copper conductors are insulated from each other and the tube wall by a high temperature ceramic. The 1/8 inch stainless steel tubes containing the copper conductors are flexible and can be bent to most any desired angle in a radius as small as 1/2 inch. The stainless steel tube provides excellent shielding for each pair of conductors against unwanted electromagnetic noise or stray voltage pickup.

NOTES:

- One thermocouple requires two wires.
- All standard conductors are 24 gage (0.020" diameter) solid copper leads.
- Dimension "M" is equal to 1-1/2 inches
- Various terminations are available (connectors, lead-wire, etc.) contact factory with your particular requirements.



(Page 1 of 2)



All standard pressure and amperage ratings are based on 68°F conditions.

Specifications											
Part No.	Pressure Rating (psi)	Conductors	B	C	D	E-thd	E-hex	F	G	H	L
K6-1	5,000 psi (OR Series)	2	1-7/16	As Required	13/32	7/16-20	3/4	1/8	-	-	-
K6-2A		4	2		15/32	3/4-16	1-5/16	1/8	-	-	-
K6-2B		6	2		15/32	3/4-16	1-5/16	1/8	-	-	-
K6-2C		8	2		15/32	3/4-16	1-5/16	1/8	-	-	-
K6-2D		10	2		15/32	3/4-16	1-5/16	1/8	-	-	-
K6-6	3,200 psi (A Series)	2	27/32	As Required	3/8	1/8" NPT	7/16	1/8	-	-	-
K6-7		4	2		3/4	1/2" NPT	7/8	1/8	-	-	-
K6-8		6	2		3/4	1/2" NPT	7/8	1/8	-	-	-
K6-9		8	2		3/4	1/2" NPT	7/8	1/8	-	-	-
K6-10		10	2		3/4	1/2" NPT	7/8	1/8	-	-	-
K6-11	10,000 psi (HP Series)	2	3	As Required	1.25	1-1/8-12	1-3/16	1/8	0.250	0.560	1
K6-12		4	3		1.25	1-1/8-12	1-3/16	1/8	0.250	0.560	1
K6-13		6	3		1.25	1-1/8-12	1-3/16	1/8	0.250	0.560	1
K6-14		8	3		1.25	1-1/8-12	1-3/16	1/8	0.250	0.560	1
K6-15		10	3		1.25	1-1/8-12	1-3/16	1/8	0.250	0.560	1